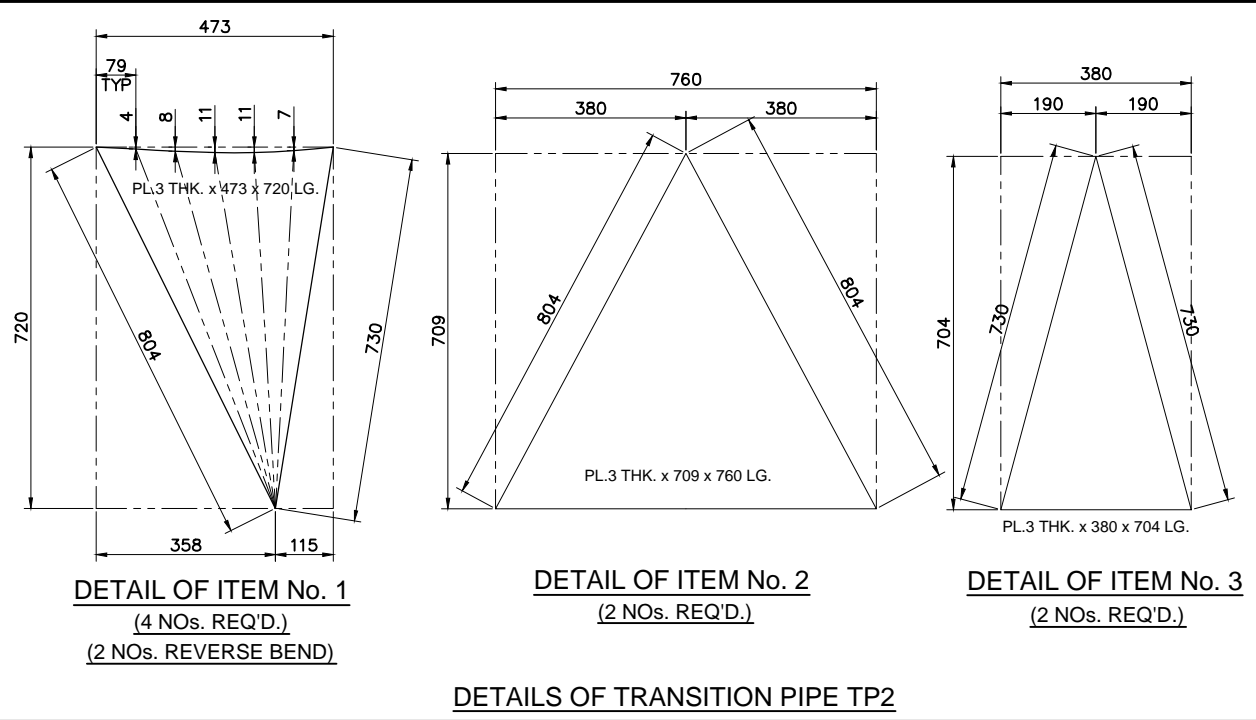
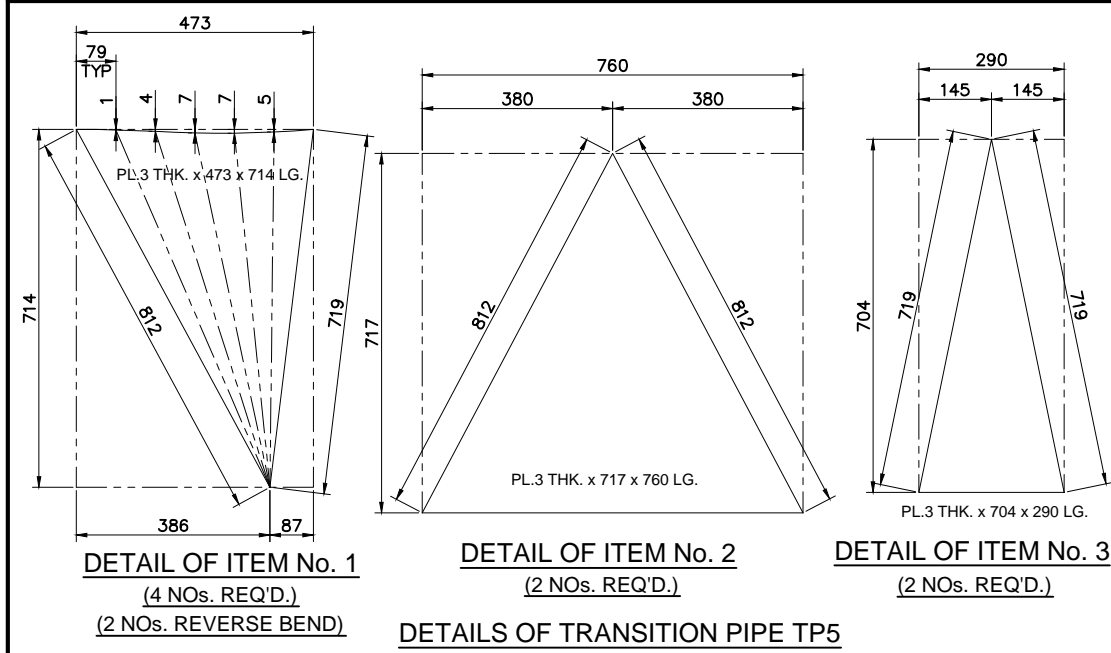


TYPICAL DETAILS OF TRANSITION PIPE

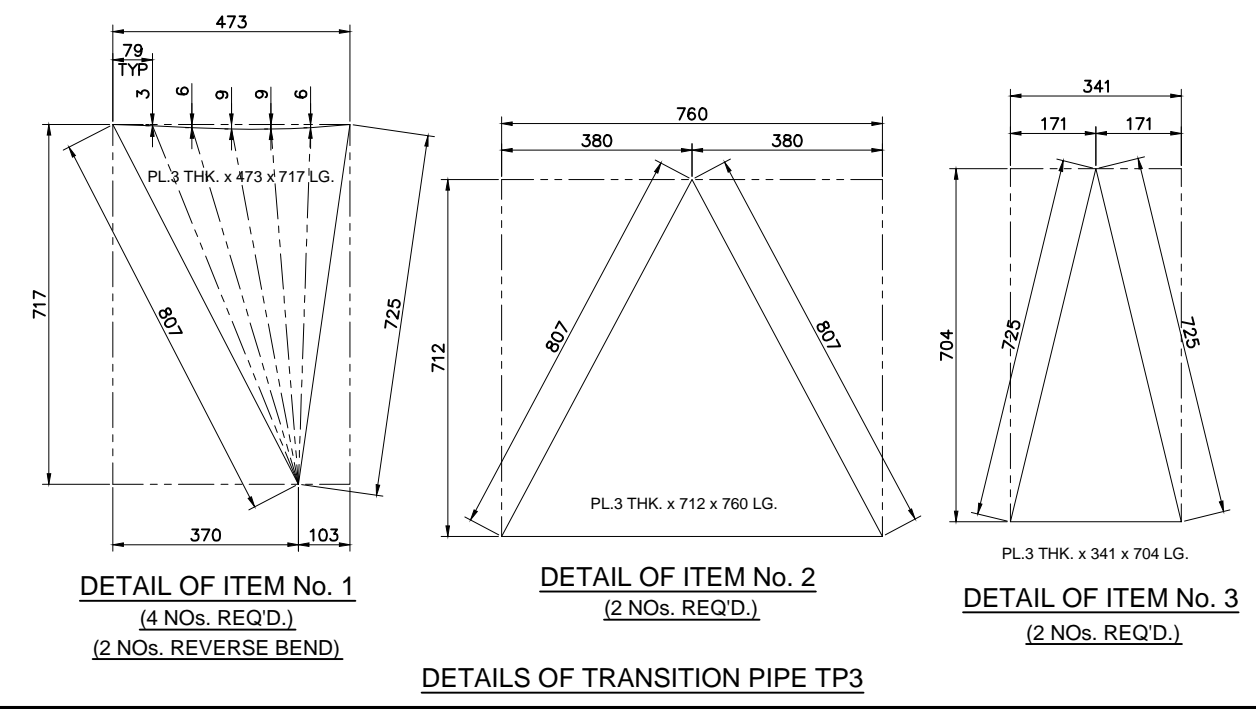


DETAILS OF TRANSITION PIPE TP2

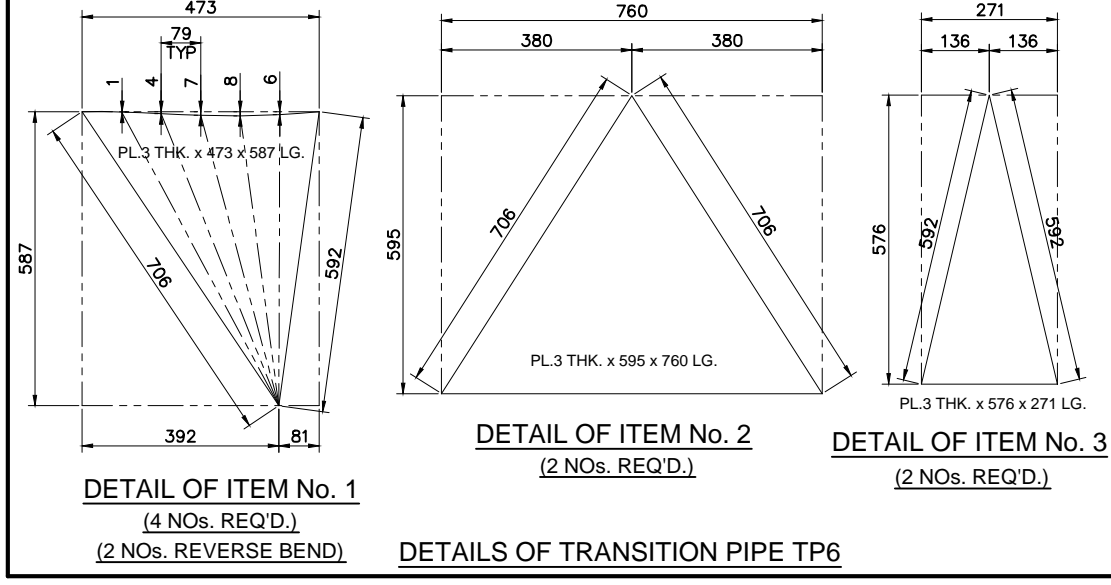
MATERIAL LIST							
ERECTION Mark	Mark	Size	Grade	Qty.	Length	Weight	
ASSEMBLY MK'D TP	TP2	1	PL. 3THK. x 473	S235 JR	4	720	33.00
		2	PL. 3THK. x 709	S235 JR	2	760	26.00
		3	PL. 3THK. x 380	S235 JR	2	704	13.00
ASSEMBLY MK'D TP	TP3	1	PL. 3THK. x 473	S235 JR	4	717	33.00
		2	PL. 3THK. x 712	S235 JR	2	760	26.00
		3	PL. 3THK. x 341	S235 JR	2	704	12.00
ASSEMBLY MK'D TP	TP4	1	PL. 3THK. x 473	S235 JR	4	715	33.00
		2	PL. 3THK. x 715	S235 JR	2	760	26.00
		3	PL. 3THK. x 313	S235 JR	2	704	11.00
ASSEMBLY MK'D TP	TP5	1	PL. 3THK. x 473	S235 JR	4	714	32.00
		2	PL. 3THK. x 717	S235 JR	2	760	26.00
		3	PL. 3THK. x 290	S235 JR	2	704	10.00
ASSEMBLY MK'D TP	TP6	1	PL. 3THK. x 473	S235 JR	4	587	27.00
		2	PL. 3THK. x 595	S235 JR	2	760	22.00
		3	PL. 3THK. x 271	S235 JR	2	576	8.00
TOTAL WEIGHT - 338.00 KGs							



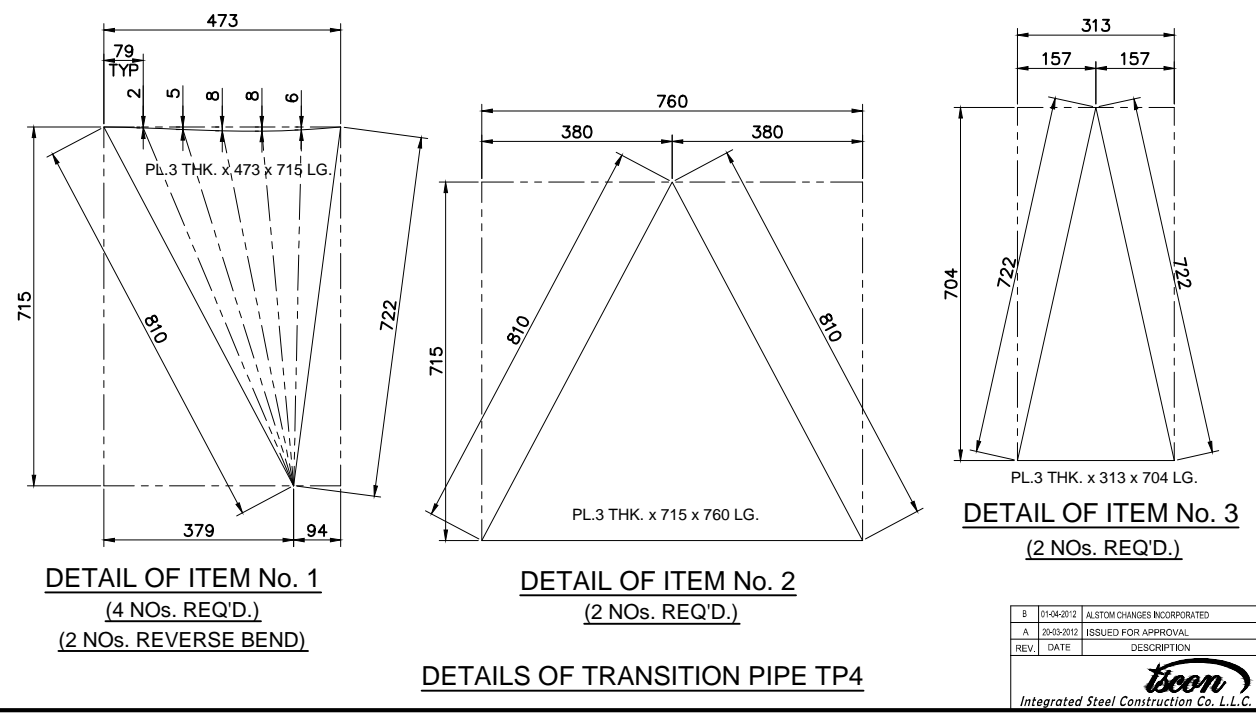
DETAILS OF TRANSITION PIPE TP5



DETAILS OF TRANSITION PIPE TP3



DETAILS OF TRANSITION PIPE TP6



DETAILS OF TRANSITION PIPE TP4

REV	DATE	DESCRIPTION	DRAWN	CHECKED	APPROVED
01	01-04-12	ISSUED FOR FABRICATION	SCAD	SCAD	JLK

ALSTOM Power Environment
Environmental Control Systems

Competence Center, Aluminium

© This document is, unless otherwise agreed in writing, the property of ALSTOM Norway AS, and shall not be reproduced, copied, disclosed to any third party or used for any other purpose other than that for which it is supplied or disclosed.

EMAL PHASE II - GAS TREATMENT CENTRES (GTC)

DETAILS OF TRANSITION PIPE TP2 ~ TP6

Date	01-04-2012	Drawn by	SCAD	Checked by	SCAD	Approved	JLK	Assembly No.	9.9M-1303	Sub No.	sub no	Scale	1:7.5
REV.	DATE	DESCRIPTION											

Drawing No. EE3-000567 - 9.9M-1305

Rev. 01

Last Print Date: \$DATE\$ \$TIME\$ \$FILES\$

