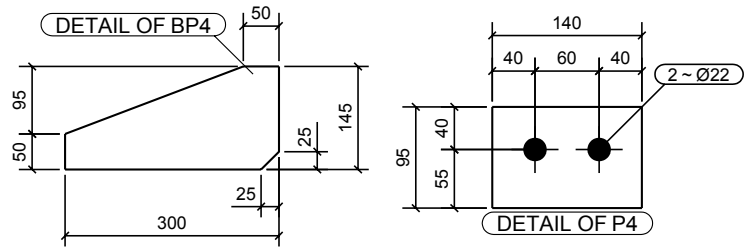
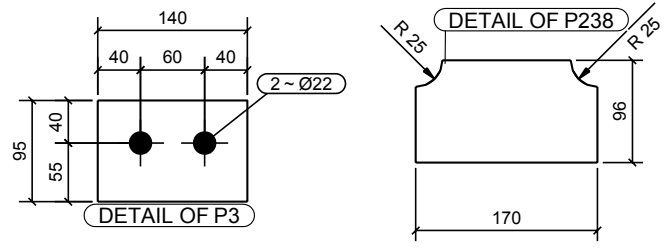
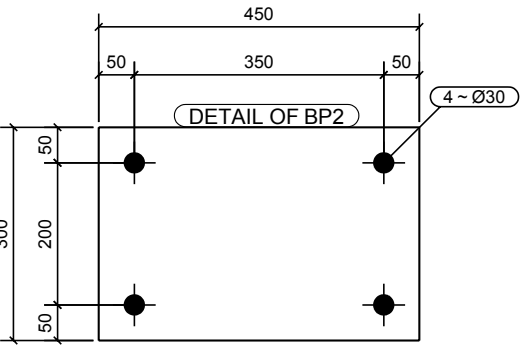
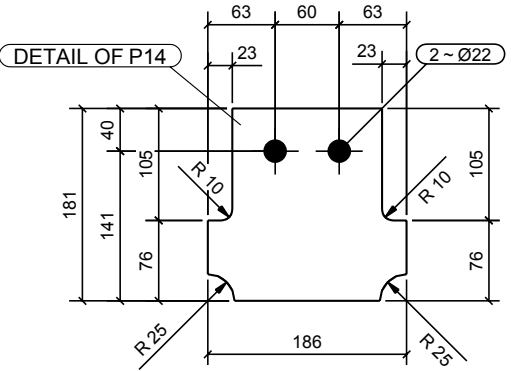
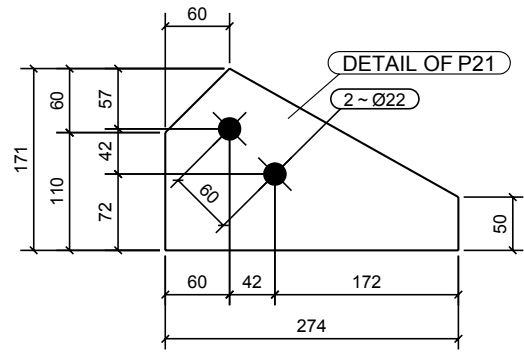


LOCATION LIST	
MARK NO.	GRID LOCATION
BS-C1-1	C/8

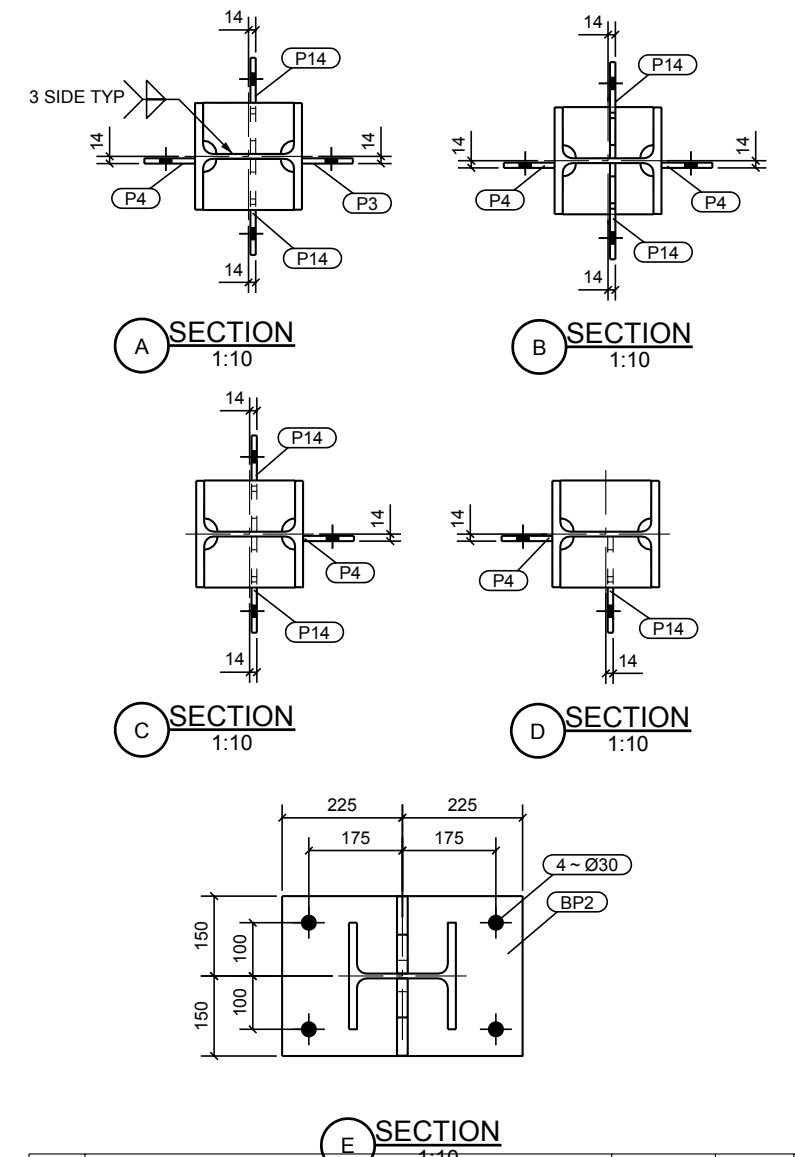
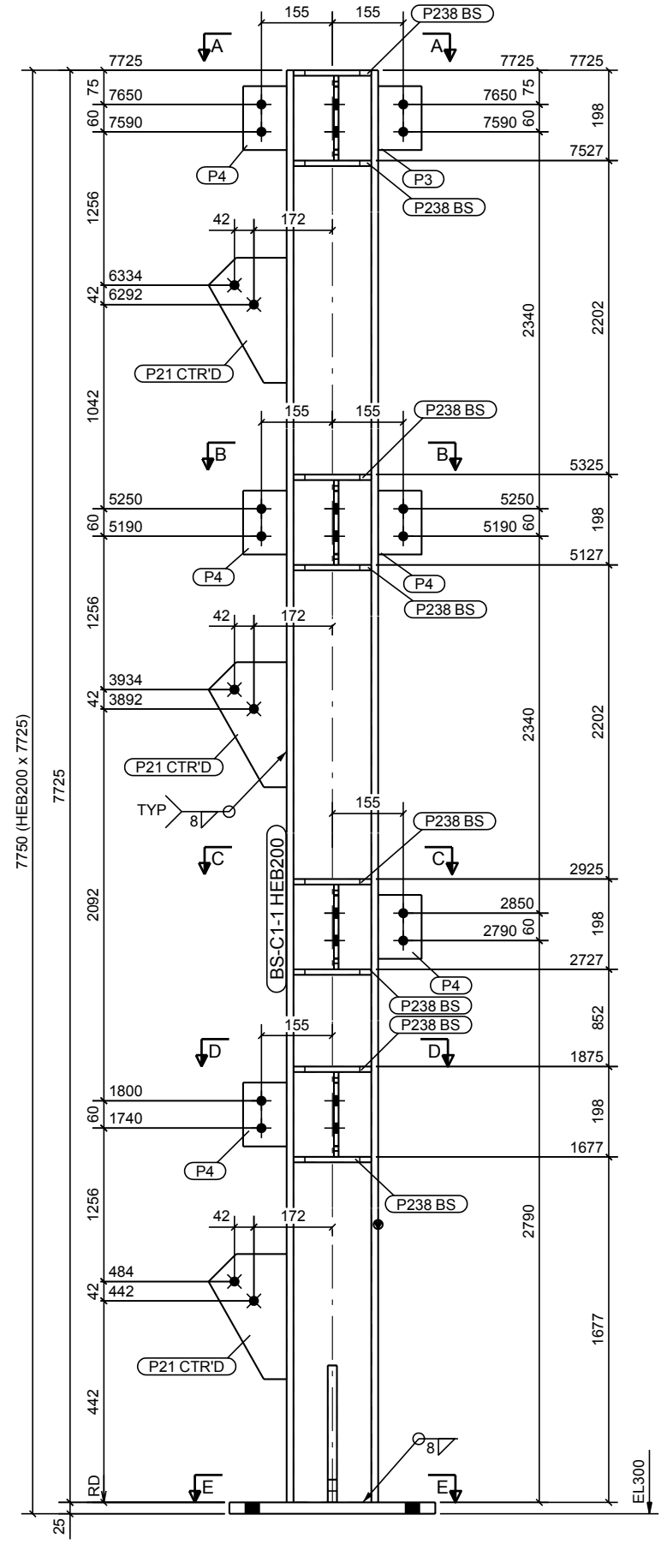
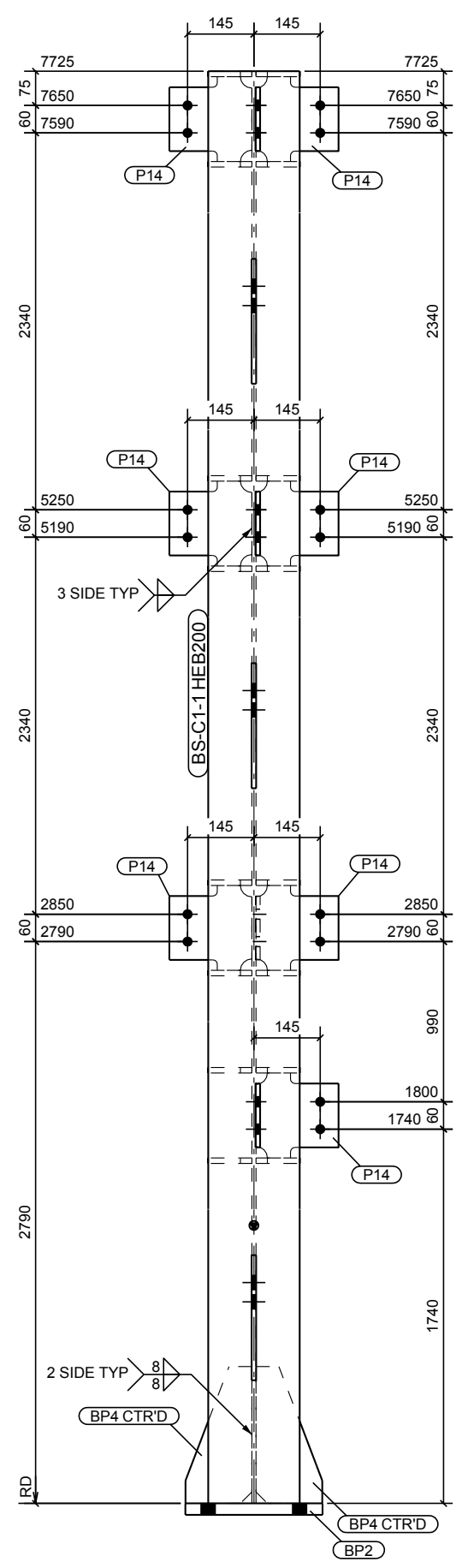
GENERAL NOTES: ALL HOLES ARE Ø22 mm UNLESS NOTED
ALL WELDS ARE 6 mm F.W UNLESS NOTED

MATERIAL LIST FOR ONE ASSEMBLY MK'D						BS-C1-1	1	No. Required
Mark	Size	Grade	No.	Length	Area	Weight		
P238	PLT12*96	S275	16	170	0.0	24.60		
P21	PLT10*170.56	S275	3	274	0.1	11.01		
P14	PLT10*180.5	S275	7	186	0.1	18.45		
P4	PLT10*140	S275	5	95	0.0	5.22		
P3	PLT10*140	S275	1	95	0.0	1.04		
BS-C1-1	HEB200	S275	1	7725	8.9	473.61		
BP4	PLT20*300	S275	2	145	0.1	13.66		
BP2	PLT25*300	S275	1	450	0.3	26.49		
Total							9.5	574.08

BOLT LIST FOR ASSEMBLY MK'D. BS-C1-1						No. Required
DIAMETER	GRADE	TYPE	LENGTH	No.	MEMBER	
Ø22	S275			1		1



NOTES
1. ALL DIMENSIONS ARE IN mm U.N.O.
2. ALL MATERIAL GRADES AS NOTED.
3. ● : DENOTES PART TOP & POSITION FOR HARD PUNCH.



Rev.	DESCRIPTION	DATE	DRWN	CHKD.
0	ISSUED FOR APPROVAL	11-05-2010	SCAD	SCAD

NKF SUGAR REFINERY PROJECT
(75,000 kg/hr x 50 barg x 3 sets)
COOLING ENGINEERING FZCO
KANGWON B & E CO., LTD.
SEOL, KOREA

SUBCONTRACTOR: **RASANA ENGINEERING IND. CO. LTD.**
TEL: 06-5360890, FAX: 06-5360891
P.O. BOX: 992 SHARJAH, UAE.

DRAWING TITLE: **BOILER STRUCTURE**
DETAIL OF:- COLUMN

DRAWING NO.	RAS-NKF-BS-C1-1	SCALE	1:5	REV.	0
-------------	-----------------	-------	-----	------	---

1 No. COLUMN Marked BS-C1-1